

V-CLAMP CLOSURE BAG FILTER HOUSINGS "FH" SERIES

Leaflet C-06-04-UK



FLUXA

Fluxa
Filtri
S.p.A.

V.le A. De Gasperi, 88/B-20017 Mazzo di Rho (MI)
Tel. 0293959.1 (15 linee)
Fax 02.93959.400/440/470
e-mail: info@fluxafiltri.com - www.fluxafiltri.com

- Bag filter housings, the result of a long experience in filtration systems, are manufactured with AISI 316/L, AISI 304.
- Suitable to hold bags with different std dimensions (size 05,09,1,2), materials (polypropylene, polyester, nylon, PTFE, wool, NOMEX®, etc.) and ratings (from 1 to 1000 micron).
- Designed for flow rate up to 40 mc/h and pressures up to 9 bar.
- Manufactured with bottom outlet connection for complete housing drainage.
- Manufactured with "V-CLAMP" quick closure.
- Gasket in EPDM, Buna-N, Viton, silicone and PTFE available.
- The V-CLAMP closure is suitable to handle only with not hazardous liquids Group 2 in accordance with Art. 3, Par. 3 of P.E.D. 97/23/EC Directive.
- Fitted with stainless steel adjustable legs.
- Available, upon request, special models (for example: heating jacket).



ORDERING CODE

FH		SS	C	12	-	2"	-	UF	-	L	-	SP	-	05
BODY MATERIAL	FILTER ELEMENT	INLET/OUTLET CONNECTIONS			SPECIAL MODELS	MATERIAL FINISHING								
SS = AISI-316/L OS = AISI-304	05 = SIZE 05 09 = SIZE 09 11 = SIZE 11 12 = SIZE 12 X = SPECIAL	1"	1,5"	2"	2,5"	3"	4"	SP	UF = UNI Flanges US = UNI Lap Joint Flanges AS = ANSI Lap Joint Flanges AF = ANSI Flanges DF = DIN Flanges DS = DIN Lap Joint Flanges GM = Gas m threaded GF = Gas f threaded TW = Weld TC = Tri-Clover BF = DIN 11851 f BM = DIN 11851 m	A = IN LINE Z = OFF LINE L = A 90° P = PARALLEL X = SPECIAL	TO SPECIFY ONLY IF DIFFERENT FROM STANDARD			

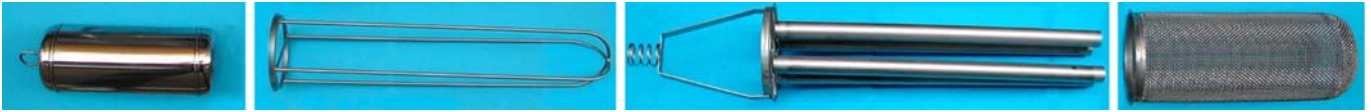
OPTIONAL FITTING

A) Volume reducer

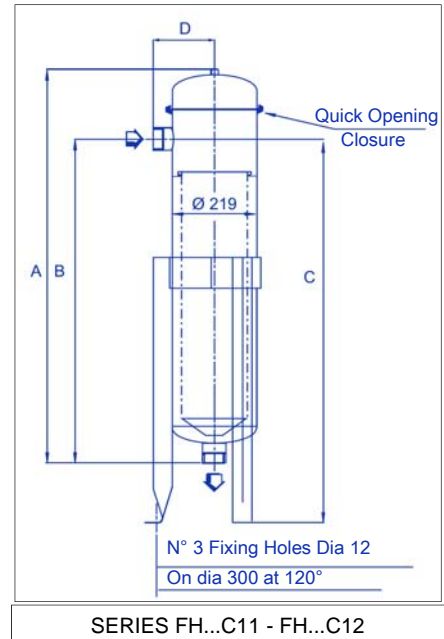
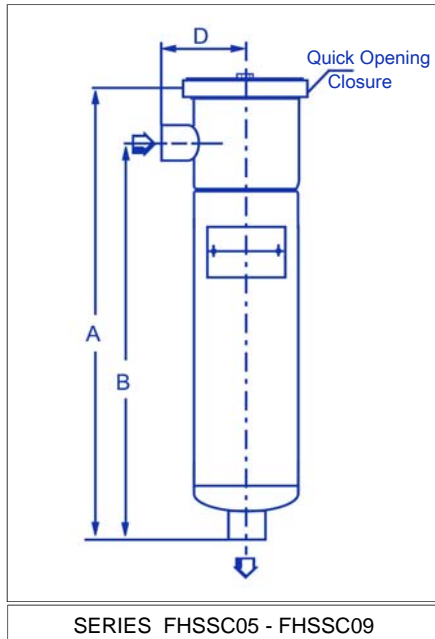
B) Bag positioner

C) Magnetic candles

D) Heavy-duty restrainer basket



BAG FILTER HOUSINGS “FH” SERIES



SERIES	MATERIALS	(2) MAX OPERATING PRESSURE (PS)	STANDARD CONNECTIONS		No OF BAGS	BAG TYPE	VOLUME L	DIMENSIONS mm				WEIGHT Kg	(3) FLOW RATE mc/h	LIQUID GROUPP 2 WITH VAPOUR PRESSURE <0.5bar
			IN/OUT (4)	VENT				A	B	C	D			
FHSSC05 ⁽¹⁾	AISI316/L	9 bar@60°C	1.½" GAS F	¼" GAS F	1	G05	3,15	369	309	-	95	3	6	Art. 3 Par. 3
FHSSC09 ⁽¹⁾	AISI316/L	9 bar@60°C	1.½" GAS F	¼" GAS F	1	G09	4,45	501	441	-	95	4	12	Art. 3 Par. 3
FH...C11-2	AISI316/L AISI304	8 bar@60°C	2" GAS M	¼" GAS F	1	G1	22	705	515	Min.750 Max.1025	155	25	20	Art. 3 Par. 3
FH...C12-2	AISI316/L AISI304	8 bar@60°C	2" GAS M	¼" GAS F	1	G2	34	1049	855	Min.980 Max.1350	155	30	30	Art. 3 Par. 3

- (1) Adjustable legs available only upon request.
- (2) Please contact our engineering staff for pressure and temperatures different from those above mentioned.
- (3) Housing's flow rate without filter elements, referred to liquids with viscosity 1 cSt. Housing's flow rate have to be calculate in relation with filter elements and process data.
- (4) Available with connections different from those above mentioned.

For further information or details:

- E-25-Fluxa Filtri bags leaflet: for information about bag filter elements
- F-01-Basket filters leaflet: for regenerable basket type
- C-07-Bag filter housing series SC leaflet: for application where an "CE" stamp in accordance with the requirements of P.E.D. 97/23/EC Directive is required
- F-02-Magnetic filters leaflet: for applications where the installation of magnetic candles is necessary